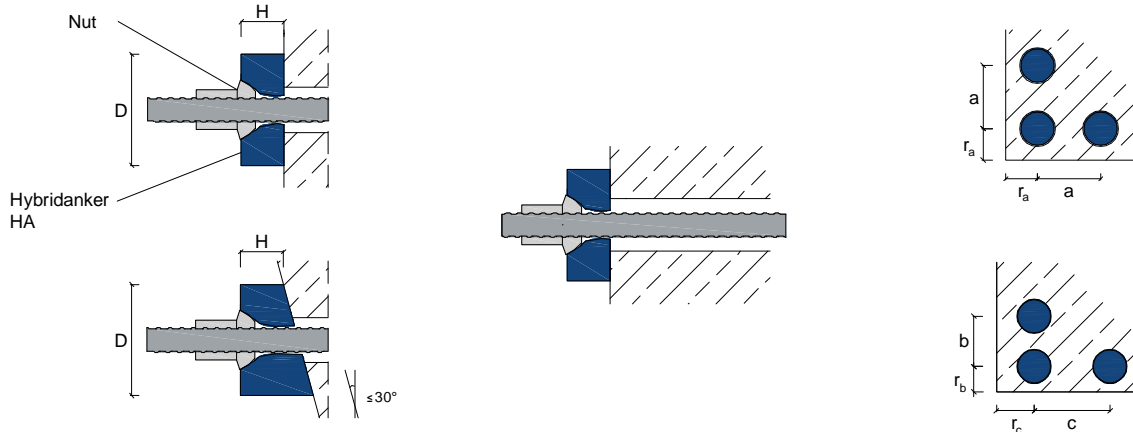


HA 4-01103 Thread bar S 670/800 with domed anchor nut



System ¹⁾	-	18 TR	22 TR	25 TR	28 TR	30 TR	35 TR	43 TR	57.5 TR	63.5 TR	75 TR										
A _p	mm ²	254	380	491	616	707	962	1452	2597	3167	4418										
f _{p0.2k} / f _{pk}	MPa	670 / 800																			
F _{pk}	kN	204	304	393	493	565	770	1162	2077	2534	3534										
HYBRIDANKER with external confinement																					
Diameter D	mm	108.0	114.3	127.0	139.7	146.0	168.3	203.0	279.0	298.5	368.0										
Height H	mm	45	47	50	55	57	65	77	102	105	145										
HYBRIDANKER with internal confinement																					
Diameter D	mm	160	160	160	160	170	189	223	299	319	388										
Height H	mm	60	60	80	80	80	80	80	102	105	145										
Concrete without bursting reinforcement (minimal reinforcement inside a x a x a = 50 kg/m³)																					
Opening O	≤ mm	72	72	72	72	80	80	100	150	150	200										
Strength f _{cm,0.cyl}	≥ MPa	20	33	20	33	20	33	20	33	20	33	20	33	20	33	20	33	20	33		
a x a ^{2),3),4)}	≥ mm	190	150	220	175	245	190	270	210	290	225	330	255	415	315	575	440	620	470	750	575

- 1) DIN EN 1537: maximum anchor force P₀ = 0.6 F_{pk}
- 2) Center distances for concrete strengths between 20 and 33 MPa can be determined by linear interpolation.
- 3) b x c ≥ a x a with b, c ≥ 0.85 x a a, b, c ≥ D + 20 mm
- 4) r_a ≥ 0.5 x a - 10 mm + concrete cover r_b ≥ 0.5 x b - 10 mm + concrete cover r_c ≥ 0.5 x c - 10 mm + concrete cover